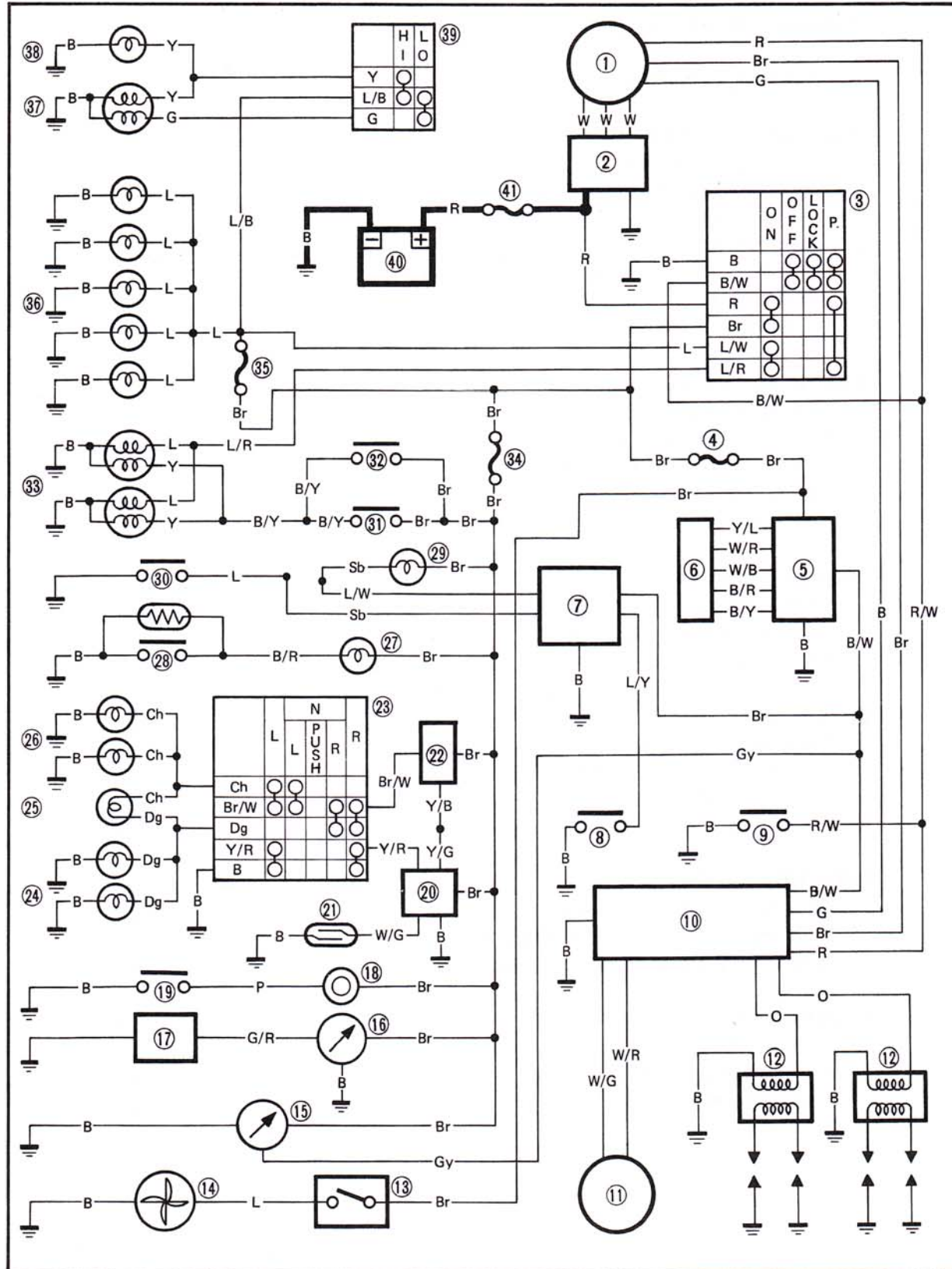


**ELECTRICAL**

**RZ500N CIRCUIT DIAGRAM**



**7**



- |                             |                                 |
|-----------------------------|---------------------------------|
| 1. AC magneto               | 21. Reed switch                 |
| 2. Rectifier/Regulator      | 22. Flasher relay               |
| 3. Main switch              | 23. "TURN" switch               |
| 4. Fuse "YPVS" (10A)        | 24. Flasher light (Right)       |
| 5. YPVS control unit        | 25. "TURN" indicator light      |
| 6. YPVS servomotor unit     | 26. Flasher light (Left)        |
| 7. Sidestand control unit   | 27. "OIL" indicator light       |
| 8. Sidestand switch         | 28. Oil level switch            |
| 9. "ENGINE STOP" switch     | 29. "NEUTRAL" indicator light   |
| 10. CDI unit                | 30. Neutral switch              |
| 11. Pickup coil             | 31. Rear brake switch           |
| 12. Ignition coil           | 32. Front brake switch          |
| 13. Thermo-switch           | 33. Tail/Brake light            |
| 14. Fan motor               | 34. Fuse "SIGNAL" (10A)         |
| 15. Tachometer              | 35. Fuse "HEAD" (15A)           |
| 16. Temperature gauge       | 36. Meter light                 |
| 17. Thermo unit             | 37. Headlight                   |
| 18. Horn                    | 38. "HIGH BEAM" indicator light |
| 19. "HORN" switch           | 39. "LIGHTS" (Dimmer) switch    |
| 20. Flasher cancelling unit | 40. Battery                     |
|                             | 41. Main fuse (20A)             |

**COLOR CODE**

O . . . . . Orange	Dg . . . . . Dark green	B/R . . . . . Black/Red
R . . . . . Red	Ch . . . . . Chocolate	B/Y . . . . . Black/Yellow
L . . . . . Blue	Gy . . . . . Gray	L/W . . . . . Blue/White
Br. . . . . Brown	Sb . . . . . Sky blue	L/R . . . . . Blue/Red
B . . . . . Black	Y/R . . . . . Yellow/Red	L/B. . . . . Blue/Black
Y . . . . . Yellow	B/W . . . . . Black/White	G/R . . . . . Green/Red
W . . . . . White	Br/W. . . . . Brown/White	W/G . . . . . White/Green
G . . . . . Green	R/W . . . . . Red/White	W/B . . . . . White/Black
P . . . . . Pink	W/R . . . . . White/Red	L/Y . . . . . Blue/Yellow
Y/B . . . . . Yellow/Black	G/Y . . . . . Green/Yellow	
Y/L . . . . . Yellow/Blue	R/Y . . . . . Red/Yellow	

# ELECTRICAL

## BASIC CIRCUIT FOR RD500

